

# 62TE

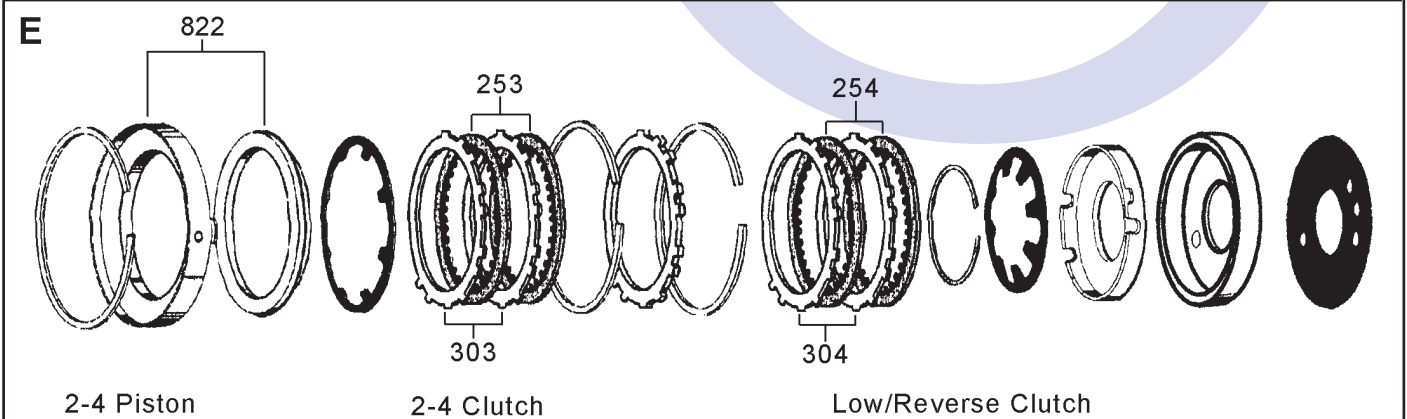
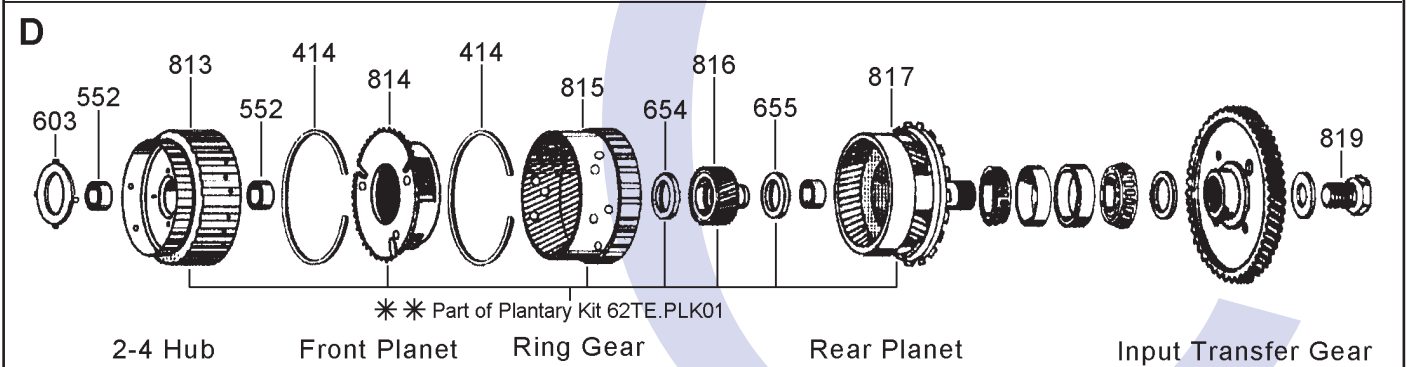
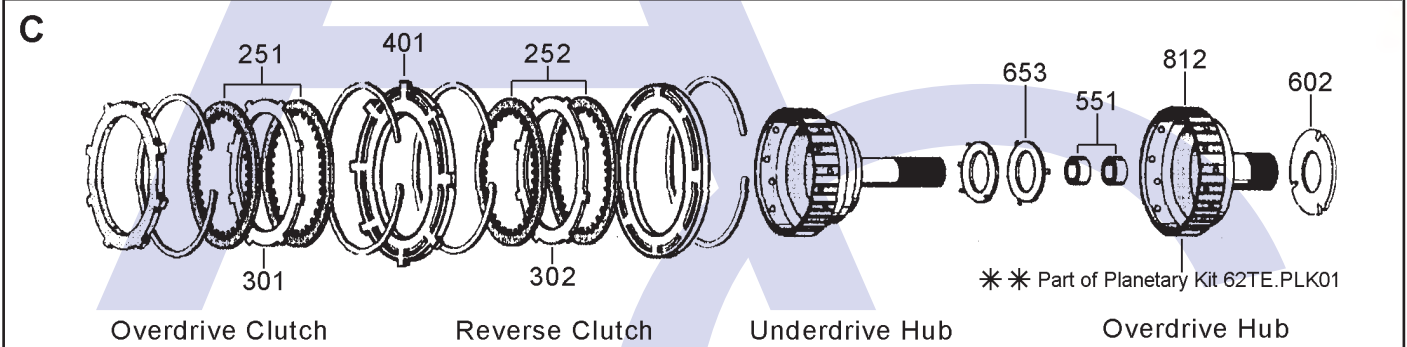
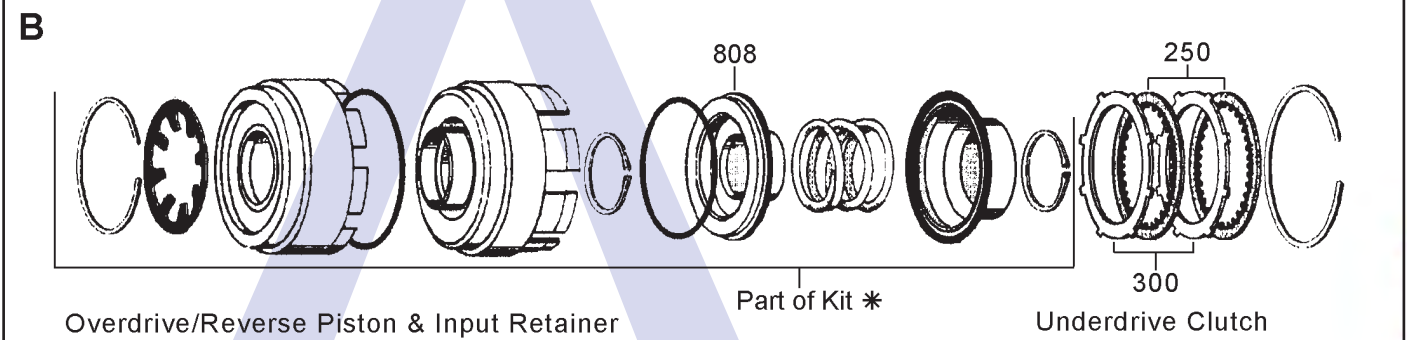
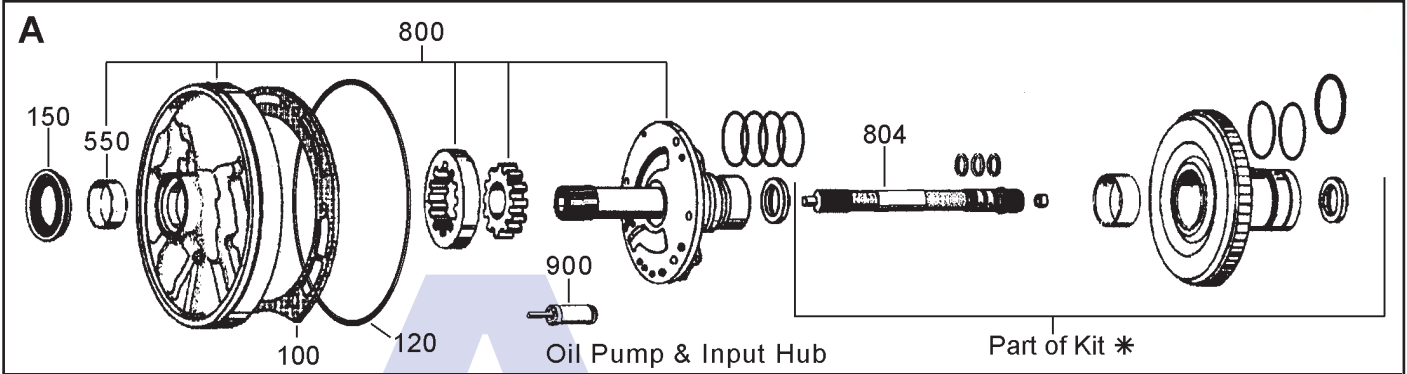
## 6 Speed FWD/AWD (Electronic Control) 2007-



AUTOMATIC CHOICE



THE AUTOMATIC TRANSMISSION PARTS WAREHOUSE



# 62TE

## 6 Speed FWD/AWD (Electronic Control) 2007-

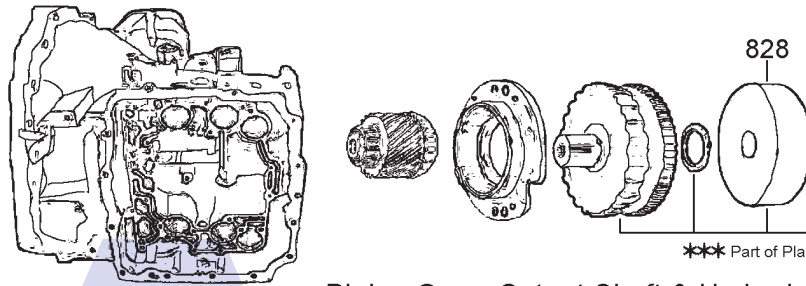


AUTOMATIC CHOICE



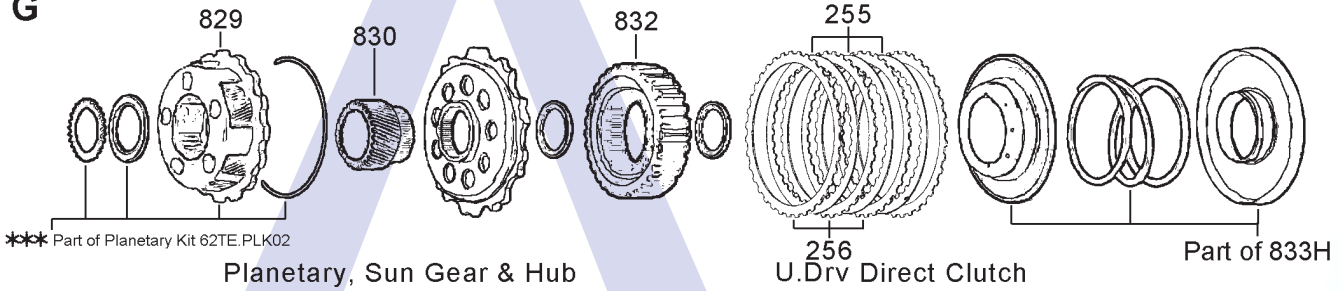
THE AUTOMATIC TRANSMISSION PARTS WAREHOUSE

F



Pinion Gear, Output Shaft & Underdrive Ring Gear

G

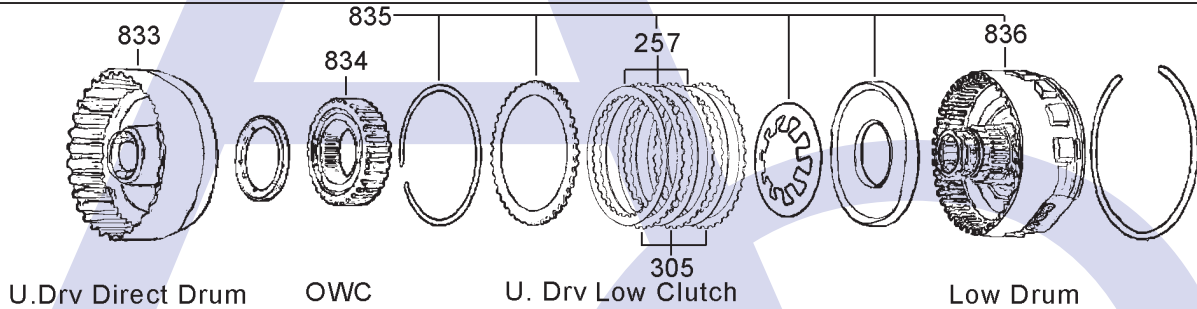


Planetary, Sun Gear & Hub

U.Drv Direct Clutch

Part of 833H

H



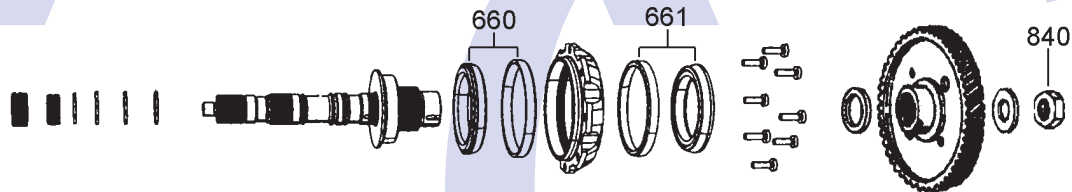
U.Drv Direct Drum

OWC

U. Drv Low Clutch

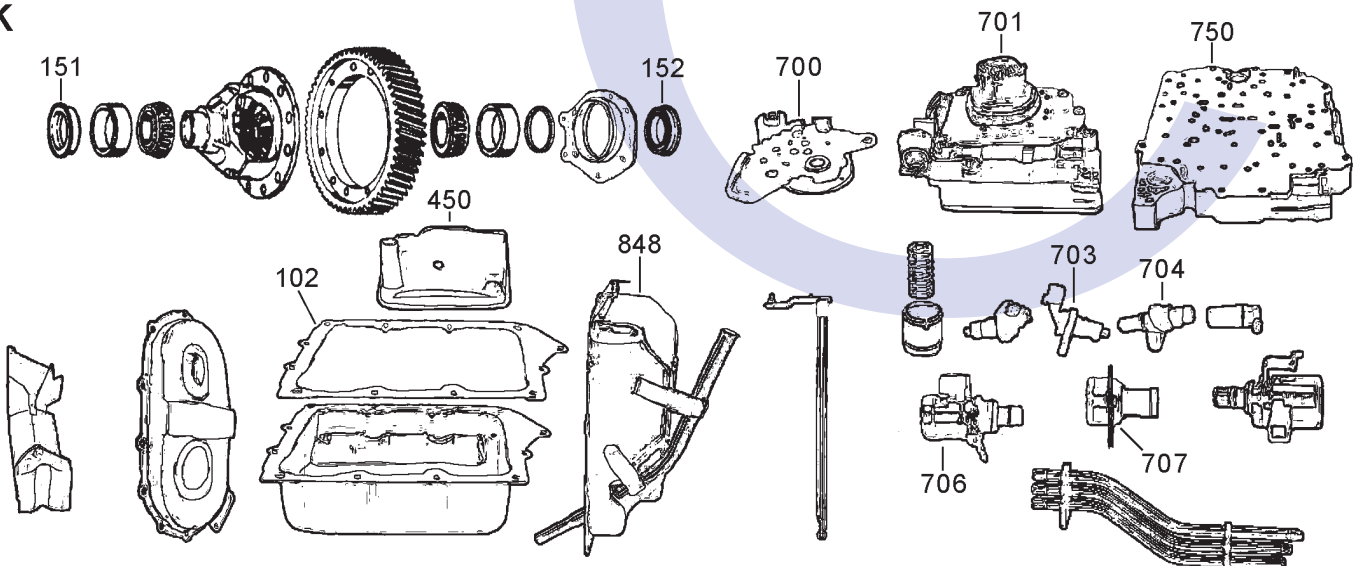
Low Drum

J



Transfer Shaft & Output Transfer Gear

K



Diff, Oil Pans, Valve Body, Sensors, Solenoids Etc.

# 62TE

## 6 Speed FWD/AWD (Electronic Control) 2006-



AUTOMATIC CHOICE



THE AUTOMATIC TRANSMISSION PARTS WAREHOUSE

ILL NO.	DESCRIPTION	YEARS	QTY	PART NO
<b>KITS</b>				
Kit	Overhaul Kit (Transtec) (Without Pistons).....	06-ON	1	<b>62TE.OHK01</b>
Kit	Overhaul Kit (Precision) (With Pistons).....	06-ON	1	<b>62TE.OHK52</b>
<b>GASKETS</b>				
100A	Pump to Case .....	06-ON	1	<b>62TE.GAS03</b>
102K	Oil Pan to Case.....	06-ON	1	<b>62TE.GAS01</b>
NI	Valve Body Cover to Case.....	06-ON	1	<b>62TE.GAS02</b>
<b>RUBBER COMPONENTS</b>				
120A	'O' Ring Pump Outer .....	06-ON	1	<b>A404.OR01</b>
<b>METAL CLAD SEALS</b>				
150A	Pump to Converter.....	06-ON	1	<b>62TE.MCS01</b>
151K	Drive shaft seal Right Hand .....	06-ON	1	<b>A404.MCS02</b>
152K	Drive shaft seal Left Hand.....	06-ON	1	<b>A404.MCS02</b>
<b>MOULDED PISTONS</b>				
Kit	Moulded Piston (Precision).....	06-ON	1	<b>62TE.PISKIT51</b>
<b>SEALING RINGS</b>				
<b>FRICTION PLATES</b>				
250B	Underdrive Clutch (138mm OD x 1.80mm x 28T) ..	06-ON	4	<b>A604.FRP01</b>
250B	Underdrive Clutch (Alto) (138mm OD x 1.80mm x 28T) ..	06-ON	4	<b>A604.FRP51</b>
251C	Overdrive Clutch (138mm OD x 1.80mm x 28T) ..	06-ON	4	<b>A604.FRP01</b>
251C	Overdrive Clutch (Alto) (138mm OD x 1.80mm x 28T) ..	06-ON	4	<b>A604.FRP51</b>
252C	Reverse Clutch (138mm OD x 1.80mm x 28T) ..	06-ON	2	<b>A604.FRP01</b>
252C	Reverse Clutch (Alto) (138mm OD x 1.80mm x 28T) ..	06-ON	2	<b>A604.FRP51</b>
253E	2-4 Clutch (154mm OD x 2.15mm x 31T) ..	06-ON	4	<b>A604.FRP02</b>
253E	2-4 Clutch (Alto) (154mm OD x 2.15mm x 31T) ..	06-ON	4	<b>A604.FRP52</b>
254E	Low/Reverse Clutch (154mm OD x 1.80mm x 32T) ..	06-ON	5	<b>A604.FRP03</b>
255G	Underdrive Direct Clutch (1 Sided Internal Teeth) (113mm OD x 1.52mm x 29T)...	06-ON	6	<b>62TE.FRP04</b>
256G	Underdrive Direct Clutch (1 Sided External Teeth) (92.30mm ID x 1.52mm x 30T) .	06-ON	6	<b>62TE.FRP05</b>
257H	Underdrive Low Clutch (121mm OD x 1.82mm x 29T) ..	06-ON	3	<b>62TE.FRP06</b>

ILL NO.	DESCRIPTION	YEARS	QTY	PART NO
<b>STEEL PLATES</b>				
Kit	Steel Plate Kit .....	06-ON	1	<b>62TE.STK51</b>
300B	Underdrive Clutch (115mm ID x 1.75mm x 8T) .....	06-ON	4	<b>A604.STP01</b>
301C	Overdrive Clutch (115mm ID x 2.00mm x 8T) .....	06-ON	3	<b>62TE.STP02</b>
302C	Reverse Clutch (115mm ID x 1.75mm x 8T) .....	06-ON	1	<b>A604.STP01</b>
303E	2-4 Clutch (134mm ID x 2.51mm x 16/24T) .	06-ON	4	<b>62TE.STP04</b>
303E	2-4 Clutch (134mm ID x 2.54mm x 14T) ....	06-ON	4	<b>A604.STP02</b>
304E	Low Reverse Clutch (134mm ID x 1.70mm x 16/24T) .	06-ON	5	<b>62TE.STP06</b>
304E	Low Reverse Clutch (134mm ID x 1.75mm x 14T) ....	06-ON	5	<b>A604.STP03</b>
305H	Underdrive Low Clutch (105mm ID x 1.73mm x 42T) ....	06-ON	3	<b>62TE.STP08</b>
<b>PRESSURE PLATES</b>				
401C	Overdrive/Reverse Clutch.....	06-ON	1	<b>62TE.PP03</b>
<b>SPRINGS &amp; CIRCLIPS</b>				
414D	Snap Ring-Front Planet to Ring gear (Front & Rear) .....	06-ON	2	<b>A604.CIR06</b>
<b>FILTERS</b>				
450K	Pick Up Filter (OEM) .....	06-ON	1	<b>62TE.FIL01</b>
450K	Pick Up Filter (AM) .....	06-ON	1	<b>62TE.FIL11</b>
<b>BUSHINGS</b>				
Kit	Bushing Kit.....	06-ON	1	<b>62TE.BK01</b>
550A	Bush, Pump to Converter.....	06-ON	1	<b>62TE.BUS01</b>
551C	Overdrive Clutch Hub (5 Pack) (Sonnax Replaces Both OEM) (Housing ID 23.901mm).....	06-ON	1	<b>A604.BUS11</b>
552D	Sun Gear & 2/4 Clutch Hub Assy (28.96mm OD) .....	06-ON	2	<b>A604.BUS04</b>
553D	Rear Planetary (31.115mm OD) ..	06-ON	1	<b>A604.BUS05</b>
<b>THRUST WASHERS &amp; BEARINGS</b>				
602C	Washer Overdrive Clutch Hub (3 Slot Selective 0.91mm).....	06-ON	1	<b>A604.THW01</b>
602C	Washer Overdrive Clutch Hub (3 Slot Selective 1.15mm).....	06-ON	1	<b>A604.THW02</b>
602C	Washer Overdrive Clutch Hub (3 Slot Selective 1.35mm).....	06-ON	1	<b>A604.THW03</b>
602C	Washer Overdrive Clutch Hub (3 Slot Selective 1.80mm).....	06-ON	1	<b>A604.THW04</b>
602C	Washer Overdrive Clutch Hub (3 Slot Selective 2.25mm).....	06-ON	1	<b>A604.THW05</b>
602C	Washer Overdrive Clutch Hub (3 Slot Selective 2.47mm).....	06-ON	1	<b>A604.THW06</b>
602C	Washer Overdrive Clutch Hub (3 Slot Selective 2.90mm).....	06-ON	1	<b>A604.THW07</b>
602C	Washer Overdrive Clutch Hub (3 Slot Selective 3.20mm).....	06-ON	1	<b>A604.THW08</b>
603D	Washer Sun Gear/Clutch Hub (4 Tabs) .....	06-ON	1	<b>A604.THW13</b>

# 62TE

## 6 Speed FWD/AWD (Electronic Control) 2007-



AUTOMATIC CHOICE



THE AUTOMATIC TRANSMISSION PARTS WAREHOUSE

ILL NO.	DESCRIPTION	YEARS	QTY	PART NO
<b>THRUST WASHERS &amp; BEARINGS Cont...</b>				
653C	Bearing, Hub to Underdrive Drum	06-ON	1	62TE.BE03
654D	Bearing Front Planet to RearSun Gear (53.35mm x 34.50mm)	06-ON	1	A604.BE02
655D	Bearing Rear Sun Gear to Rear Planet	06-ON	1	A604.BE03
NI	Bearing Front Planet (Must be Disassembled)	06-ON	1	A604.BE03
660J	Bearing, Transfer Shaft (Front)	06-ON	1	62TE.BE01
661J	Bearing, Transfer Shaft (Rear)	06-ON	1	62TE.BE01
<b>ELECTRICAL COMPONENTS</b>				
Kit	Solenoid Pack Repair Kit	06-ON	1	45RFE.SOL05
700K	Transmission Range Sensor (DTR)	06-ON	1	62TE.ELE01
701K	Solenoid Block Assembly	06-ON	1	62TE.SOL01
703K	Transfer Speed Sensor	06-ON	1	62TE.ELE03
704K	Input Speed Sensor	06-ON	1	62TE.ELE04
704K	Output Speed Sensor	06-ON	1	62TE.ELE04
706K	VFS Solenoid (TCC)	06-ON	1	62TE.SOL02
707K	Switch, Pressure Transducer	06-ON	1	62TE.ELE02
<b>VALVE BODY PARTS</b>				
750K	Valve Body (Rebuild) (With Solenoids)	06-ON	1	62TE.VB01
750K	Valve Body (Rebuild) (Without Solenoids)	06-ON	1	62TE.VB02
<b>HARD PARTS</b>				
Kit *	Input Hub Assembly, With OD, Reverse Input Piston and Pressure Plate (Used)	06-ON	1	62TE.HUB02
Kit **	Planetary Kit, Front & Rear (See illustration for contents)	06-ON	1	62TE.PLK01
Kit ***	Planetary Kit, Underdrive Compounder (See illustration for contents)	06-ON	1	62TE.PLK02
800A	Pump Complete	06-ON	1	62TE.PUM01
804A	Input Shaft, (OEM)	06-ON	1	62TE.SH01
808B	Piston-Input C. Drum/U. Drive (19.05mm Tall)	06-ON	1	A604.PIS09
812C	O.D. Clutch Hub 29.50mm (OEM)	06-ON	1	A604.HUB05
812C	O.D. Clutch Hub 29.50mm (Aftermarket)	06-ON	1	A604.HUB15
813D	Sun Gear & 2/4 Clutch Hub (OEM)	06-ON	1	A604.DRU02
813D	Sun Gear & 2/4 Clutch Hub (AM)	06-ON	1	A604.DRU12
814D	Front Planet Assy (OEM)	06-ON	1	A604.PL01
814D	Front Planet Assy (AM)	06-ON	1	A604.PL11
815D	Annulus-Rear Planetary	06-ON	1	A604.HUB03
816D	Sun Gear-Rear	06-ON	1	A604.SUN01
817D	Planetary, Rear (5 Gear)	06-ON	1	62TE.PL01
819D	Bolt, Input Transfer Gear	06-ON	1	62TE.NUT02
822E	Piston Retainer & Piston, 2-4 Clutch	06-ON	1	62TE.RET01
828F	Annulus, U.Drive/Compounder	06-ON	1	62TE.GE01
829G	Planet Carrier, Underdrive/Compounder	06-ON	1	62TE.PL02

ILL NO.	DESCRIPTION	YEARS	QTY	PART NO
<b>HARD PARTS Cont...</b>				
830G	Sun Gear, Underdrive/Compounder	06-ON	1	62TE.SUN01
832G	Compounder Hub	06-ON	1	62TE.HUB03
833H	Overdrive Direct Drum Assembly (Used)	06-ON	1	62TE.DRU01
834H	Sprag Assembly, Low Compounder	06-ON	1	62TE.OWC01
835H	Drum Kit, Low Clutch Complete, Used (Includes Piston, Retainer, Frictions, Steels & Nut)	06-ON	1	62TE.DRU04
836H	Retainer, Low Clutch (AM)	06-ON	1	62TE.DRU03
840J	Nut, Transfer Gear Shaft	06-ON	1	62TE.NUT01
848K	Valve Body Cover	06-ON	1	62TE.PAN01
<b>SPECIAL ITEMS</b>				
900A	Cooler Bypass Valve (In Case Under Pump)	89-ON	1	A604.VA08
<b>TOOLS &amp; MANUALS</b>				
NI	ATSG Repair Manual (On CD)	06-ON	AR	62TE.MAN01
NI	Technical Manual (Chrysler/Dodge)	06-ON	AR	62TE.MAN02